

# BOOSTRAL 611

Optical RFoG SDU FTTH micronode, 1 active output, 1 GHz / 85 MHz

## FORWARD PARAMETERS

Wavelength	1543 - 1555 nm
Bandwidth	85...105 - 1006 MHz
Optical AGC range	-6 - 0 dBm
Flatness <sup>1</sup>	±2 dB
Equivalent Input Noise Current	< 5 pA / √Hz
Output level <sup>2</sup> :	
CTB ≤ -62 dBc	80 dBμV
CSO ≤ -64 dBc	80 dBμV
Gain limited output level <sup>3</sup>	80 dBμV ± 2 dB

## RETURN PARAMETERS

Wavelengths <sup>4</sup>	1610 nm
Frequency range	5 - 65...85 MHz
Flatness <sup>5</sup>	±1.0 dB
Optical output power :	
ON	3 ±0.5 dBm
OFF	< -30 dBm
RF input threshold	70 dBμV ± 2 dB
Laser rise/fall time <sup>6</sup>	< 1 / <1 μs
Min RF input level to get 35 % OMI	93 dBμV
NPR / Dynamic range <sup>7</sup>	40 dB / 5 dB

## OTHERS

Return loss <sup>8</sup>	≥ 18 dB
Voltage range: mains powering	external power supply 230 V AC / 12 V DC connected to the PWR IN port
Power consumption <sup>9</sup>	< 3.6 W
Operation temperature range	-20 - 50 °C
Optical connectors	SC / APC (other on request)
RF connectors type	1 x F female
Protection class	IP 42
Dimensions (W x L x H)	124 x 102 x 31 mm
Weight	0.5 kg

## AVAILABLE VERSIONS

BOOSTRAL 611 256M O	external power supply, one fiber, upstream 5 - 65 MHz
BOOSTRAL 611 258M O	external power supply, one fiber, upstream 5 - 85 MHz
BOOSTRAL 611 256M P	external power supply, xPON, upstream 5 - 65 MHz, on request
BOOSTRAL 611 258M P	external power supply, xPON, upstream 5 - 85 MHz, on request



**1.0 GHz technology**  
An extended bandwidth in downstream  
up to 1 GHz



**RFoG SDU / FTTH**  
To be used in a modern RFoG SDU /  
Fiber To The Home architecture



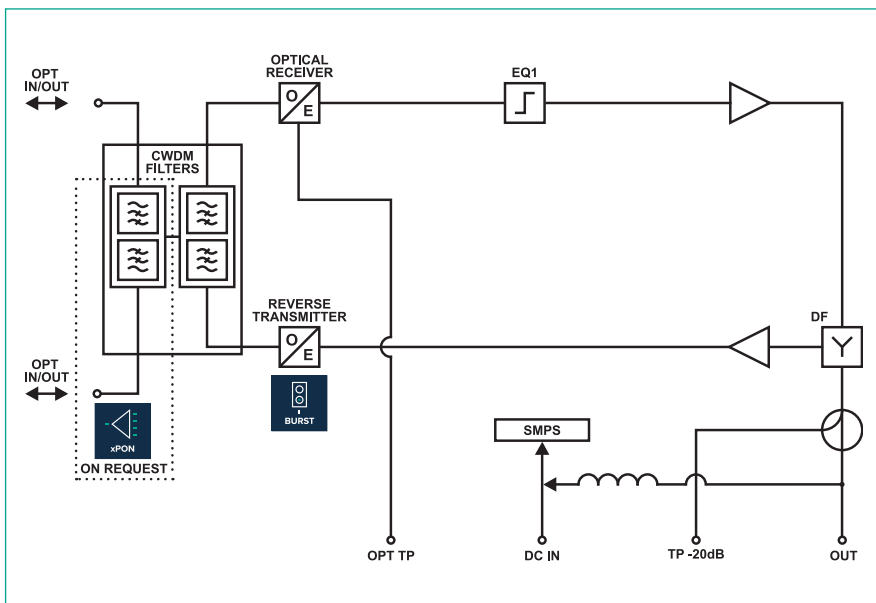
**BURST mode**  
A laser lifetime significantly extended;  
noise reduction; reduced energy consumption



**OBI FREE SYSTEM**  
Device designed to work  
in OBI FREE system



**xPON port (on request)**  
A flexible solution to be used in the scenarios  
combined with xPON networks



1. In range 85 - 862 MHz; ±1.5 dB up to 1006 MHz; typical value
2. In accordance to 3 dB slope from 85 MHz to 1 GHz; CENELEC 42; typical value
3. 3,5 % OMI / channel; single carrier; Pin = -6 dBm; wavelength 1550 nm
4. Other on request
5. Up to 85 MHz; typical value
6. European RFoG IEC 60 7 28 - 14 standard compliant
7. Measured with 12 dB link (15 km fiber + loss), 60MHz BW noise load, EINC 7pA / √Hz
8. In 5 - 65 MHz; 18 dB for f < 40 MHz; 18 dB - 1.5 dB / oct for f > 40 MHz, but not worse than 11 dB
9. Powered via DC port; power supply consumes additional 1 W

Unless otherwise specified, the whole specifications are tested with 65 / 85 duplex filters installed, at room temperature 25°C and present typical values.